



DIN 971 Hex Nut

Leader-Fastener is a manufacturer and distributor of **DIN 971 Hex Nut**. We have a complete line of service from having invested in production plants, export department and to having a quality control team and center to meet your requirements. We regard quality as the life of the company. We persist in good quality as the first policy and have established a set of quality control and inspection system according to the international standard. We have carried out ISO9001 Quality Guarantee System in every course of production, transportation and selling. We do hope we could be your partner in business by topping quality, knight service and

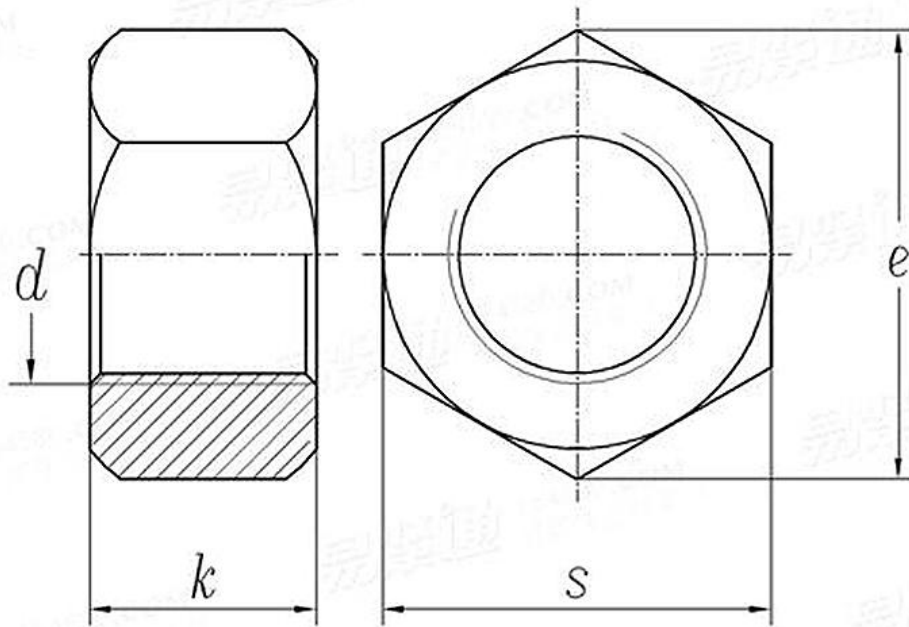
competitive price in the near future and be your friends as well.

DIN 971 Hex Nut use for secure fasteners with external threads. It is suitable for every common application such householding, furniture, maintenance, repair, etc. **DIN 971 Hex Nut** can use as general-purpose mechanical fasteners. **DIN 971 Hex Nut** is Metric fine pitch thread nut. Property class of high six-sided nut is 6 and 8. It is internally threaded mechanical fastener, available with various coating protection layer, strong thread of nut ensures self-locking mechanism. **DIN 971 Hex Nut** provide strong and secure connection. It designs and built according German standard and technology. Offer user friendly installation without requiring special equipment or tool. Easily assemble with all metal material products without damage their external threads. **DIN 971 Hex Nut** provide simple and easy installation. It can assemble with hex spanner or wrencher and tighten it at appropriate torque range.

Product Specification of DIN 971 Hex Nut

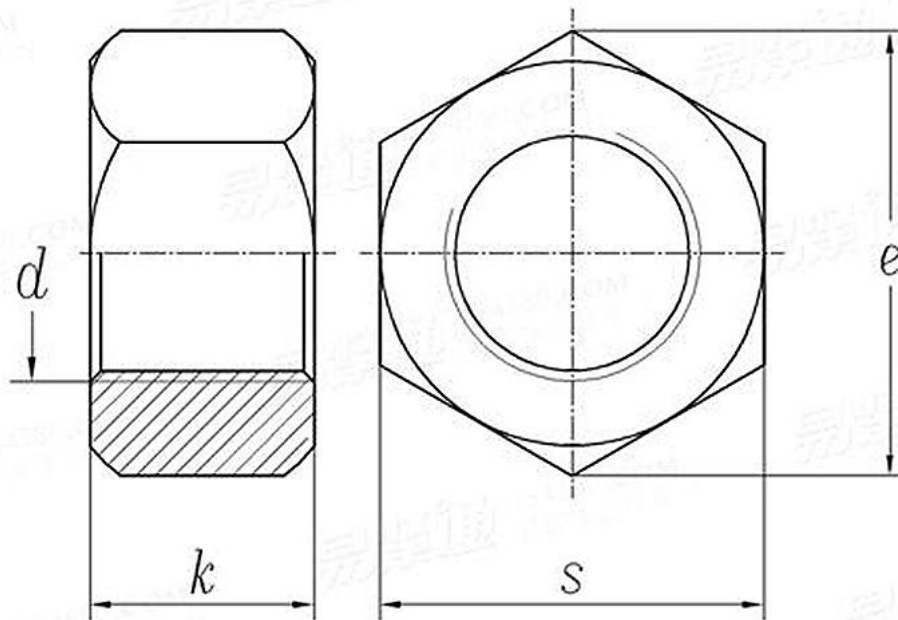
Material : Carbon steel, Stainless steel, Alloy Steel, Brass.

Finishment: Black, Zinc Plated, Zinc Yellow, HDG, Phosphate, DACROMET, Geomet, Magin, Ruspert, Teflon, etc.

DIN 971 (-1) - 1987 Style 1 Hexagon Nuts With Metric Fine Pitch Thread,property Classes 6
And 8


Screw Thread		M8	M10	M12	(M14)	M16	(M18)	M20	(M22)	M24	(M27)	M30	(M33)	M36	(M39)
Pitch	Fine Thread	1	1	1.5	1.5	1.5	1.5	2	1.5	2	2	2	2	3	3
	Fine Thread	/	1.25	1.25	/	/	2	1.5	2	/	/	/	/	/	/
k	max=nominal size	6.8	8.4	10.8	12.8	14.8	15.8	18	19.4	21.5	23.8	25.6	28.7	31	33.4
	min	6.44	8.04	10.37	12.1	14.1	15.1	16.9	18.1	20.2	22.5	24.3	27.4	29.4	31.8
S	max=nominal size	13	16	18	21	24	27	30	34	36	41	46	50	55	60
	min	12.73	15.73	17.73	20.67	23.67	26.16	29.16	33	35	40	45	49	53.8	58.8
e	min	14.38	17.77	20.03	23.36	26.75	29.56	32.95	37.29	39.55	45.2	50.85	55.37	60.79	66.44
per 1000 units≈kg		5.4	10.6	16.3	26.4	38	52	73	104	125	178	238	320	420	520

DIN 971 (-2) - 1987 Style 2 hexagon nuts with metric fine pitch thread, property classes 10 and 12



Screw Thread		M8	M10	M12	M14	M16	M18	M20	M22	M24	M27	M30	M33	M36	M39
P	Fine thread	1	1	1.5	1.5	1.5	1.5	2	1.5	2	2	2	2	3	3
	Fine thread >	/	1.25	1.25	/	/	2	1.5	2	/	/	/	/	/	/
k	max	7.5	9.3	12	14.1	16.4	17.6	20.3	21.8	23.9	26.7	28.6	32.5	34.7	37.5
	min	7.14	8.94	11.57	13.4	15.7	16.9	19	20.5	22.6	25.4	27.3	30.9	33.1	35.9
s	max	13	16	18	21	24	27	30	34	36	41	46	50	55	60
	min	12.73	15.73	17.73	20.67	23.67	26.16	29.16	33	35	40	45	49	53.8	58.8
e	min	14.38	17.77	20.03	23.36	26.75	29.56	32.95	37.29	39.55	45.2	50.85	55.37	60.79	66.44
per 1000 units≈kg		6	11.7	18.2	29	42	58	82	117	154	200	270	380	470	610