



ASME B18.2.6 Hex Bolt

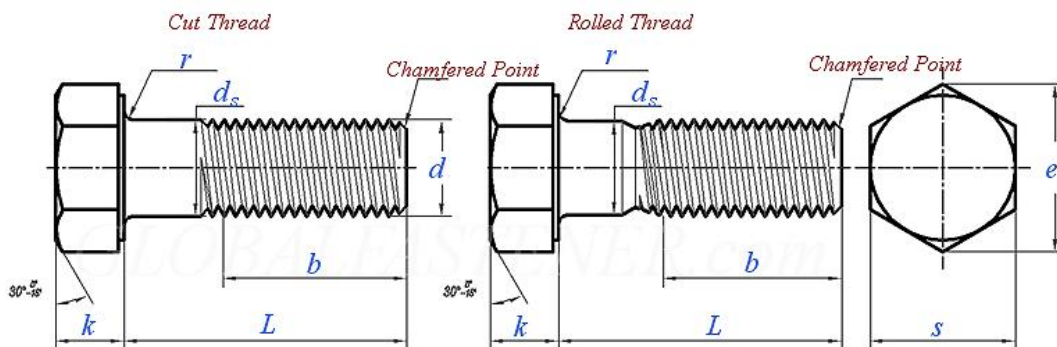
Leader-Fastener is a manufacturer and distributor of **ASME B18.2.6 Hex Bolt**. We have a complete line of service from having invested in production plants, export department and to having a quality control team and center to meet your requirements. We regard quality as the life of the company. We persist in good quality as the first policy and have established a set of quality control and inspection system according to the international standard. We have carried out ISO9001 Quality Guarantee System in every course of production, transportation and selling. We do hope we could be your partner in business by topping quality, knight service and

competitive price in the near future and be your friends as well.

Product Introduction of ASME B18.2.6 Hex Bolt

Hexagon bolts are a type of fastener consisting of a head and a screw (a cylinder with an external thread), and a nut is required to fasten two parts with a through hole. They are commonly used in residential and commercial mechanical and construction projects. Full thread size provides excellent grip strength. Some thread sizes help where shear resistance is important. Secure with corresponding nuts or use in threaded holes. A type of fastener consisting of a head and a screw (a cylinder with an external thread), which requires a nut to securely connect two parts with a through hole. Because bolts are also a type of railway accessories, railway accessories are an integral part of railway lines. The track referred to here includes rails, sleepers, connectors, ballast beds, anti-climbing equipment, rail supports and turnouts. As an overall engineering structure, the track is laid on the roadbed, which guides the operation of the train and directly bears the huge pressure and load of the rolling stock. Under the power of train operation, its components must have sufficient strength and stability to ensure the safe, stable and uninterrupted operation of the train at the specified maximum speed.

ASME B 18.2.6 - 2019 Heavy Hex Structural Bolts (ASTM F3125 / F3125M)



| Thread Size | | 1/2 | 5/8 | 3/4 | 7/8 | 1 | 1-1/8 | 1-1/4 | 1-3/8 | 1-1/2 |
|----------------|--------------|-------|--------|-------|--------|-------|---------|-------|--------|-------|
| PP | UNC | 13 | 11 | 10 | 9 | 8 | 7 | 7 | 6 | 6 |
| | UNF | 20 | 18 | 16 | 14 | 12 | 12 | 12 | 12 | 12 |
| | UNEF | 28 | 24 | 20 | 20 | 20 | 18 | 18 | 18 | 18 |
| d _s | max | 0.515 | 0.642 | 0.768 | 0.895 | 1.022 | 1.149 | 1.277 | 1.404 | 1.531 |
| | min | 0.482 | 0.605 | 0.729 | 0.852 | 0.976 | 1.098 | 1.223 | 1.345 | 1.47 |
| s | Nominal Size | 7/8 | 1-1/16 | 1-1/4 | 1-7/16 | 1-5/8 | 1-13/16 | 2 | 2-3/16 | 2-3/8 |
| | max | 0.875 | 1.062 | 1.25 | 1.438 | 1.625 | 1.812 | 2 | 2.188 | 2.375 |
| | min | 0.85 | 1.031 | 1.212 | 1.394 | 1.575 | 1.756 | 1.938 | 2.119 | 2.3 |
| e | max | 1.01 | 1.227 | 1.443 | 1.66 | 1.876 | 2.093 | 2.309 | 2.526 | 2.742 |
| | min | 0.969 | 1.175 | 1.383 | 1.589 | 1.796 | 2.002 | 2.209 | 2.416 | 2.622 |
| k | Nominal Size | 5/16 | 25/64 | 15/32 | 35/64 | 39/64 | 11/16 | 25/32 | 27/32 | 15/16 |
| | max | 0.323 | 0.403 | 0.483 | 0.563 | 0.627 | 0.718 | 0.813 | 0.878 | 0.974 |
| | min | 0.302 | 0.378 | 0.455 | 0.531 | 0.591 | 0.658 | 0.749 | 0.81 | 0.902 |
| b | Ref. | 1 | 1.25 | 1.38 | 1.5 | 1.75 | 2 | 2 | 2.25 | 2.25 |
| r | max | 0.031 | 0.062 | 0.062 | 0.062 | 0.093 | 0.093 | 0.093 | 0.093 | 0.093 |
| | min | 0.009 | 0.021 | 0.021 | 0.021 | 0.062 | 0.062 | 0.062 | 0.062 | 0.062 |

Chemical and mechanical properties of steel bolts shall conform to ASTM F3125/F3125M.