



### **ANSI B18.16.3M Locking Nuts**

Leader-Fastener is a manufacturer and distributor of **ANSI B18.16.3M Locking Nuts**. We have a complete line of service from having invested in production plants, export department and to having a quality control team and center to meet your requirements. We regard quality as the life of the company. We persist in good quality as the first policy and have established a set of quality control and inspection system according to the international standard. We have carried out ISO9001 Quality Guarantee System in every course of production, transportation and selling. We do hope we could be your partner in business by topping quality, knight service and

competitive price in the near future and be your friends as well.

**ANSI B18.16.3M Locking Nuts** (self-locking nut, locking nut), is a nut which resists loosening through vibration and normal use. This trait makes them essential hardware for a multitude of applications. Unlike free spinning nuts, lock nuts make use of a deforming elastic or metal material to stay in position against torque and shock.

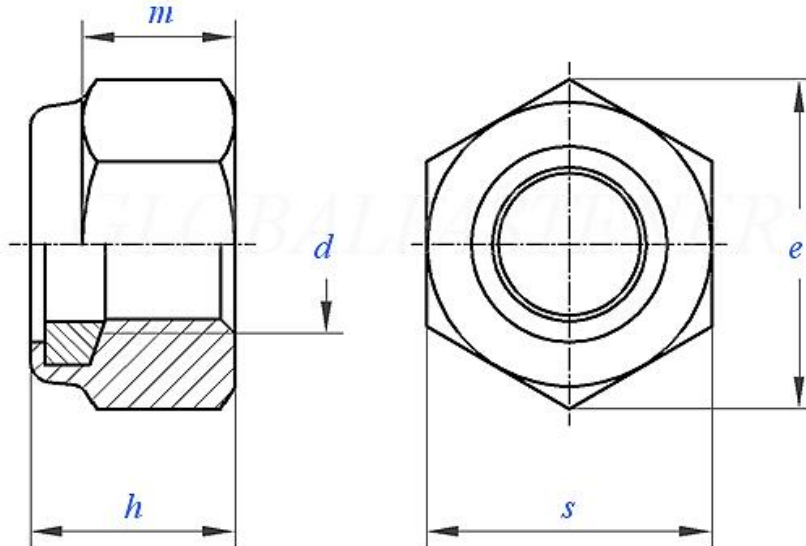
### **Product Specification of ANSI B18.16.3M Locking Nuts**

Material : Carbon steel, Stainless steel, Alloy Steel, Brass.

Finishment: Black, Zinc Plated, Zinc Yellow, HDG, Phosphate, DACROMET, Geomet, Magin, Ruspert, Teflon, etc.

**ANSI/ASME B 18.16.3M (hex/non-metal) - 1998 Metric Non-metallic Prevailing-Torque Hex Nuts - Property Classes 5, 9 and 10 [Table 1]**

*Prevailing torque element, shape optional*



Screw Thread		M3	M3.5	M4	M5	M6	M8	M10	(M10)	M12	M14	M16	M20	M24	M30	M36	
D																	
P	Pitch	0.5	0.6	0.7	0.8	1	1.25	1.5	1.5	1.75	2	2	2.5	3	3.5	4	
s	max	5.5	6	7	8	10	13	16	15	18	21	24	30	36	46	55	
	min	5.32	5.82	6.78	7.78	9.78	12.73	15.73	14.73	17.73	20.67	23.67	29.16	35.00	45.00	53.80	
e	max	6.35	6.93	8.08	9.24	11.55	15.01	18.48	17.32	20.78	24.25	27.71	34.64	41.57	53.12	63.51	
	min	6.01	6.58	7.66	8.79	11.05	14.38	17.77	16.64	20.03	23.35	26.75	32.95	39.55	50.85	60.79	
h	Class 5、10	max	4.50	5.00	6.00	6.80	8.00	9.50	11.90	12.50	14.90	17.00	19.10	22.80	27.10	32.60	38.90
		min	3.90	4.30	5.30	6.00	7.20	8.50	10.90	11.50	13.90	15.80	17.90	21.50	25.60	30.60	36.90
	Class 9	max	4.50	5.00	6.00	7.20	8.50	10.20	12.80	13.50	16.10	18.30	20.70	25.10	29.50	35.60	42.60
		min	3.90	4.30	5.30	6.40	7.70	9.20	11.80	12.50	15.10	17.10	19.50	23.80	28.00	33.60	40.60
m	Class 5、10	min	1.4	1.7	1.9	2.7	3	3.7	4.8	5.6	6.7	7.8	9.1	10.9	13	15.7	19
	Class 9	min	1.4	1.7	1.9	2.7	3	4.3	5.6	6.2	7.7	8.9	10.5	12.7	15.1	18.2	22.1